

# DATA SHEET



## Three Phase Induction Motor - Squirrel Cage

Customer :																			
Product line	: W21 Explosion-proof Motor NEMA Premium Efficiency Three-Phase																		
Product code :	14407410																		
Catalog # :	04018XT3E324TC																		
Frame : 324TC Output : 40 HP (30 kW) Poles : 4 Frequency : 60 Hz Rated voltage : 230/460 V Rated current : 96.4/48.2 A L. R. Amperes : 742/371 A LRC : 7.7x(Code J) No load current : 46.0/23.0 A Rated speed : 1780 rpm Slip : 1.11 % Rated torque : 16.3 kgfm Locked rotor torque : 270 % Breakdown torque : 300 % Insulation class : F Service factor : 1.15 Moment of inertia (J) : 0.3441 kgm <sup>2</sup> Design : B	Locked rotor time : 34s (cold) 19s (hot) Temperature rise : 80 K Duty cycle : Cont.(S1) Ambient temperature : -20°C to +40°C Altitude : 1000 m.a.s.l. Protection degree : IP55 Cooling method : IC411 - TEFC Mounting : F-1 Rotation <sup>1</sup> : Both (CW and CCW) Noise level <sup>2</sup> : 71.0 dB(A) Starting method : Direct On Line Approx. weight <sup>3</sup> : 297 kg																		
Output	25%    50%    75%    100%																		
Efficiency (%)	92.8    93.0    94.1    94.1																		
Power Factor	0.39    0.66    0.77    0.83																		
Foundation loads																			
Max. traction : 495 kgf																			
Max. compression : 793 kgf																			
	<table border="0"> <tr> <td></td> <td style="text-align: center;"><u>Drive end</u></td> <td style="text-align: center;"><u>Non drive end</u></td> </tr> <tr> <td>Bearing type :</td> <td>6312 C3</td> <td>6212 C3</td> </tr> <tr> <td>Sealing :</td> <td>Oil Seal</td> <td>Lip Seal</td> </tr> <tr> <td>Lubrication interval :</td> <td>20000 h</td> <td>20000 h</td> </tr> <tr> <td>Lubricant amount :</td> <td>21 g</td> <td>13 g</td> </tr> <tr> <td>Lubricant type :</td> <td colspan="2" style="text-align: center;">Mobil Polyrex EM</td> </tr> </table>		<u>Drive end</u>	<u>Non drive end</u>	Bearing type :	6312 C3	6212 C3	Sealing :	Oil Seal	Lip Seal	Lubrication interval :	20000 h	20000 h	Lubricant amount :	21 g	13 g	Lubricant type :	Mobil Polyrex EM	
	<u>Drive end</u>	<u>Non drive end</u>																	
Bearing type :	6312 C3	6212 C3																	
Sealing :	Oil Seal	Lip Seal																	
Lubrication interval :	20000 h	20000 h																	
Lubricant amount :	21 g	13 g																	
Lubricant type :	Mobil Polyrex EM																		
Notes USABLE @208V 107A SF 1.00 SFA 107A																			
This revision replaces and cancel the previous one, which must be eliminated. (1) Looking the motor from the shaft end. (2) Measured at 1m and with tolerance of +3dB(A). (3) Approximate weight subject to changes after manufacturing process. (4) At 100% of full load.																			
These are average values based on tests with sinusoidal power supply, subject to the tolerances stipulated in NEMA MG-1.																			
Rev.	Changes Summary	Performed	Checked	Date															
Performed by																			
Checked by			Page	Revision															
Date	20/01/2021		1 / 2																

# DATA SHEET

## Three Phase Induction Motor - Squirrel Cage



Customer : \_\_\_\_\_

### Thermal protection

ID	Application	Type	Quantity	Sensing Temperature
1	Winding	Thermostat - 2 wires	1 x Phase	155 °C

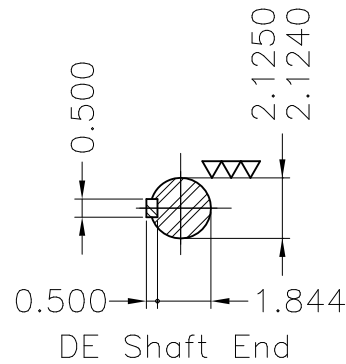
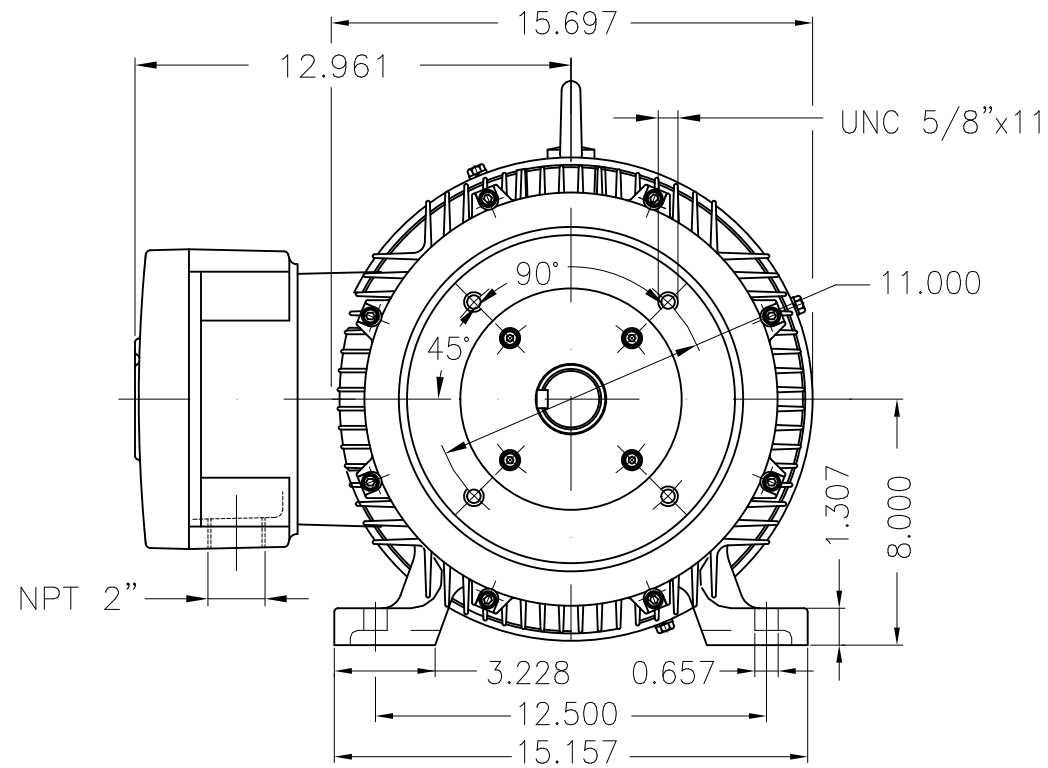
Rev.	Changes Summary	Performed	Checked	Date
Performed by				
Checked by			Page	Revision
Date	20/01/2021		2 / 2	

No reproduction of this drawing is allowed without written permission of WEG Motores

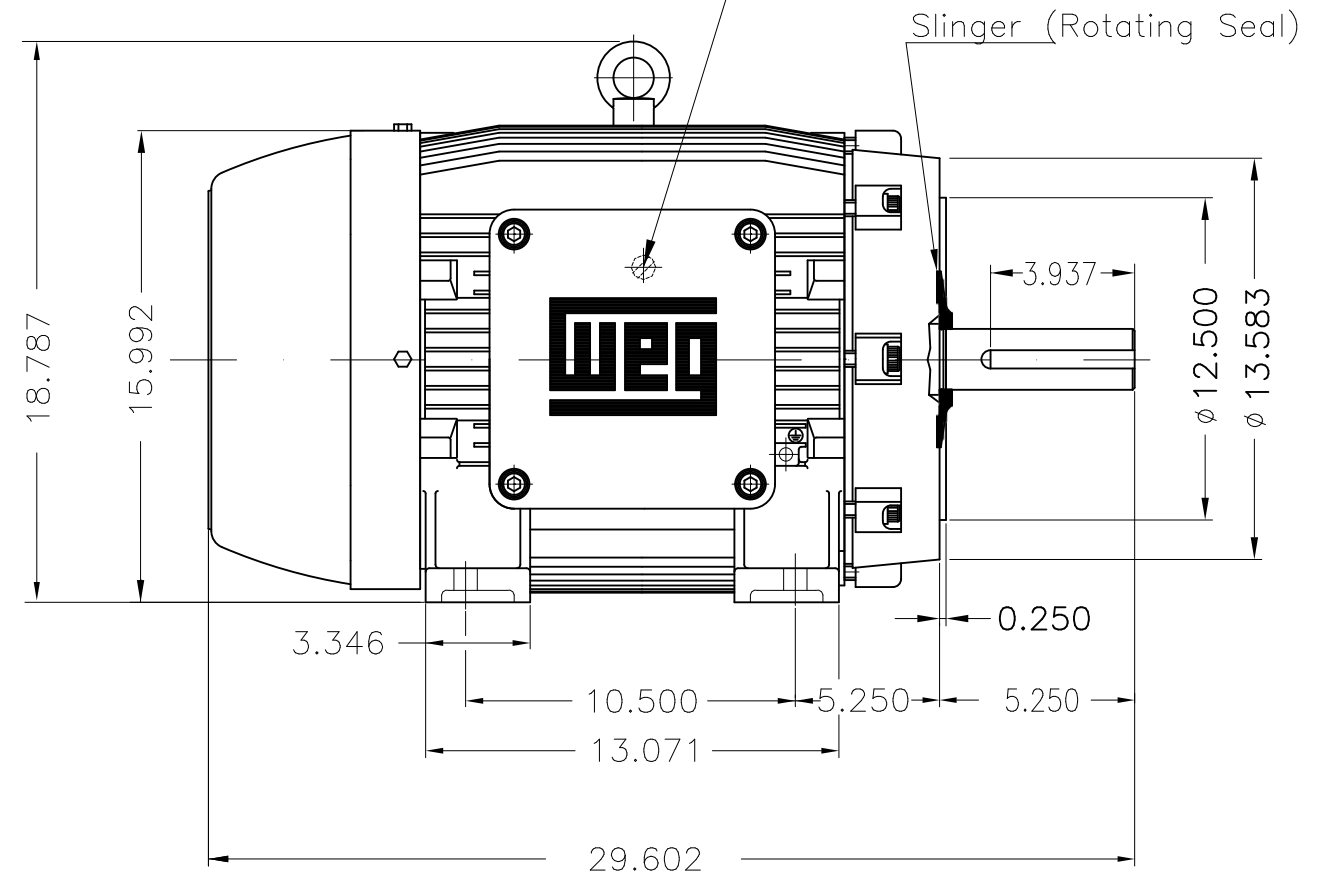
EIXO  
 PADRÃO  
 OPCIONAL  
 ESPECIAL

Dimensões em polegada  
 Dimensions in inches

THIS IS AN UPDATED REVISION, THE PREVIOUS ONE MUST BE DISREGARDED.



Grounding for leads 5.2–35 mm<sup>2</sup> / 10–2 AWG



With grease fitting  
 Color RAL 5009  
 Painting plan 202P  
 Mounting B34R(D)

ECM	LOC	SUMMARY OF MODIFICATIONS	EXECUTED	CHECKED	RELEASED	DATE	VER
EXECUTED	USERADMIN	THREE-PHASE EXPLOSION PROOF MOTOR					
CHECKED		FRAME 324TC IP55 TEFC					
RELEASED		WEG code: 14407410					
REL DT	20.01.2021	WMO Jaragua do Sul	Product Engineering	SHEET	1 / 1		

40 HP 04 Poles 60Hz

A



ZME A3

MADE IN BRAZIL


**W21X NEMA**  
**Premium**

14407410



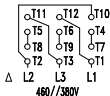
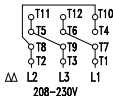
LISTED

CC029A

*Inverter Duty Motor*  
*Severe Duty*

MODEL 04018XT3E324TC

PH 3	FR 324TC		
HP(kW) 40.0(30.0)		HZ 60	IP55
V 230/460		A 96.4/48.2	
RPM 1780		NEMA NOM EFF 94.1%	
PF 0.83		SFA 111/55.4	DES B
INS CL F $\Delta$ T 80 K		SF 1.15	ENCL TEFC
DUTY CONT.		CODE J	ALT 1000 m.a.s.l.
AMB 40°C	USABLE @208V	107 A	SF 1.00
AMB 55°C SF1.0			
40HP 30kW 50Hz 380V 58.7A 1470RPM SF1.00 EFF 92.4% (IE2)			



→ 6312-C3 MOBIL POLYREX EM  
 → 6212-C3 21 g 20000 h

657 Lbs



TEMP CODE T3C  
 CSA/UL: Class I - Div. 1 - Groups C and D  
 CSA: Class II - Div. 1 - Groups F and G  
 CSA: Class I - Zone 1 - IIB

EXPLOSION PROOF MOTOR

FOR USE ON VPWM VFD 1000:1VT, 6:1CT, 1.0SF, T3C, AMB 40°C.